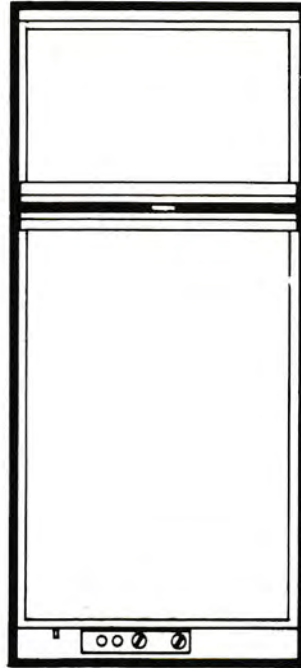




When ordering spare parts always state:  
 MODEL · QUANTITY · PART NUMBER · DESCRIPTION  
 For electric details also:  
 VOLTAGE · WATTAGE



Product No.  
 926 72 24

REFRIGERATOR FOR LP-GAS  
 AND ELECTRIC OPERATION

**RM1303**

**SPARE PARTS LIST**

Corporate Office  
 2320 Industrial Parkway Elkhart, IN 46515

**USA**  
 Elkhart, IN 46515  
 P.O. Box 490  
 (219) 295-5228

City of Industry, CA 91746  
 14441 Bonelli St.  
 (213) 968-9431

Largo FL 33543  
 8155 Bryan Dairy Road  
 (813) 207-1465

Portland, OR 97223  
 7895 S.W. Hunziker Rd.  
 (503) 620-9510

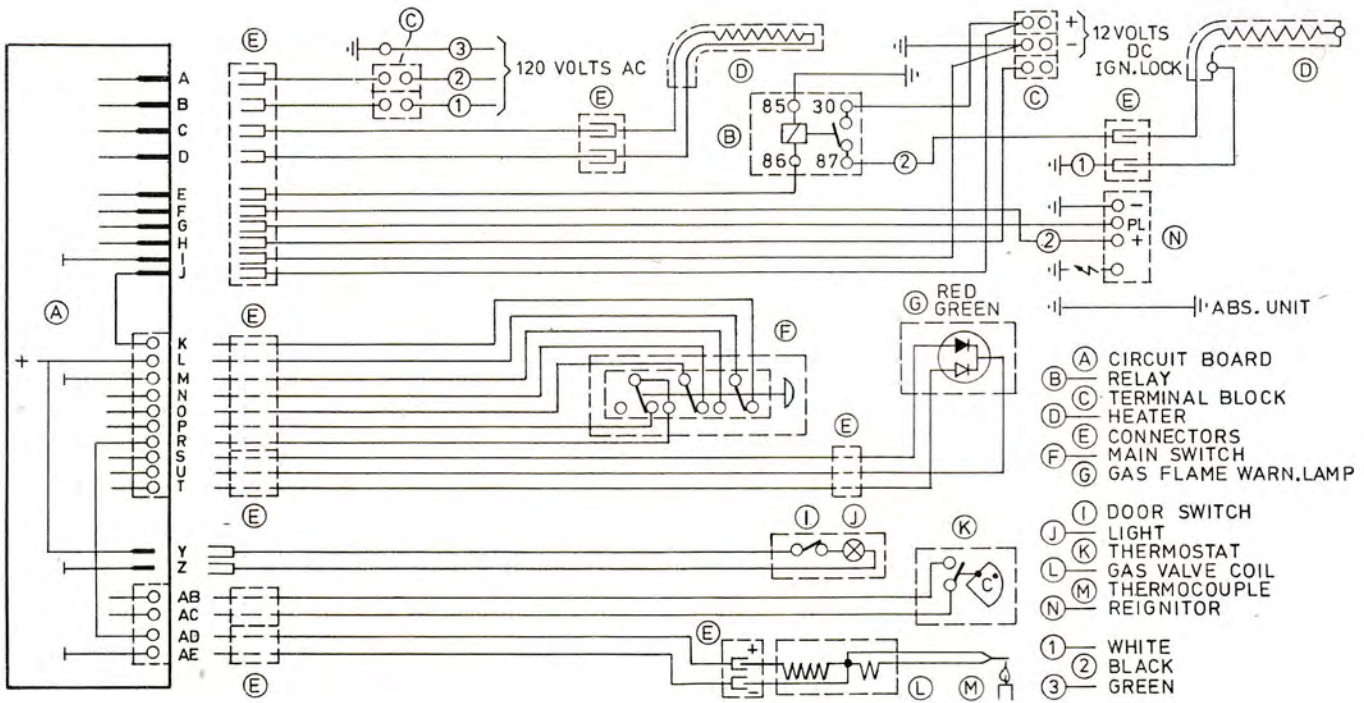
Grand Prairie, TX 75050  
 902 Ave. R.  
 (214) 641-4277

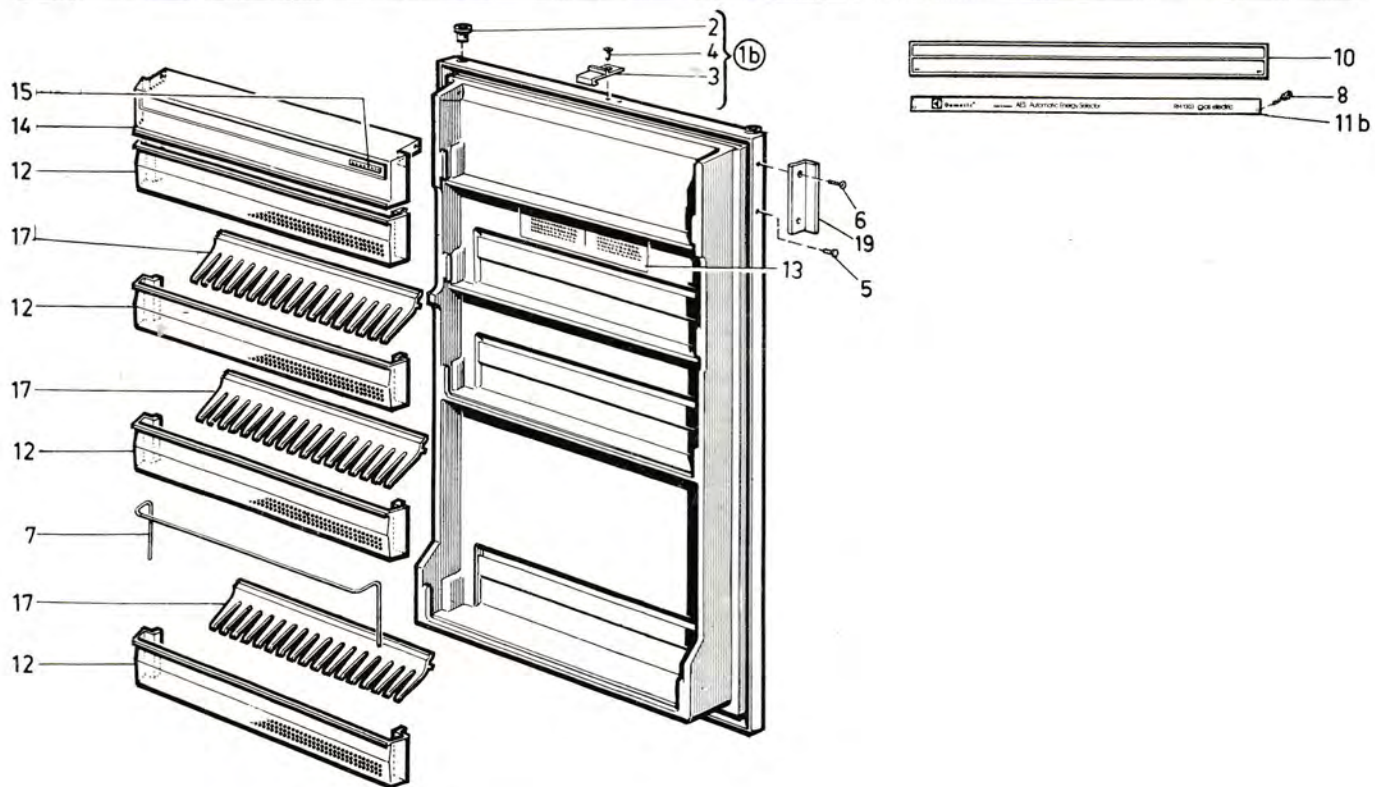
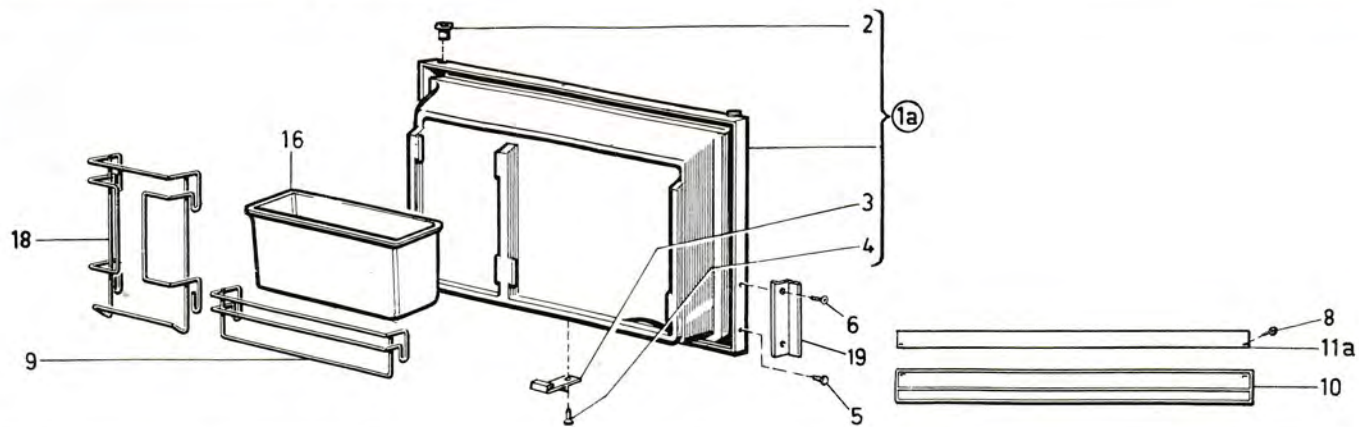
Hagerstown, MD 21740  
 East Oak Ridge  
 Rt. 9, Box 17 A  
 (301) 307-0800

**CANADA**  
 Dometic Recreation R.V. Product  
 Euroclean Canada Inc.  
 866 Langs Drive  
 Cambridge Ontario N3H 2N7  
 (519)653-8880

820 48 52-02

2930372 III



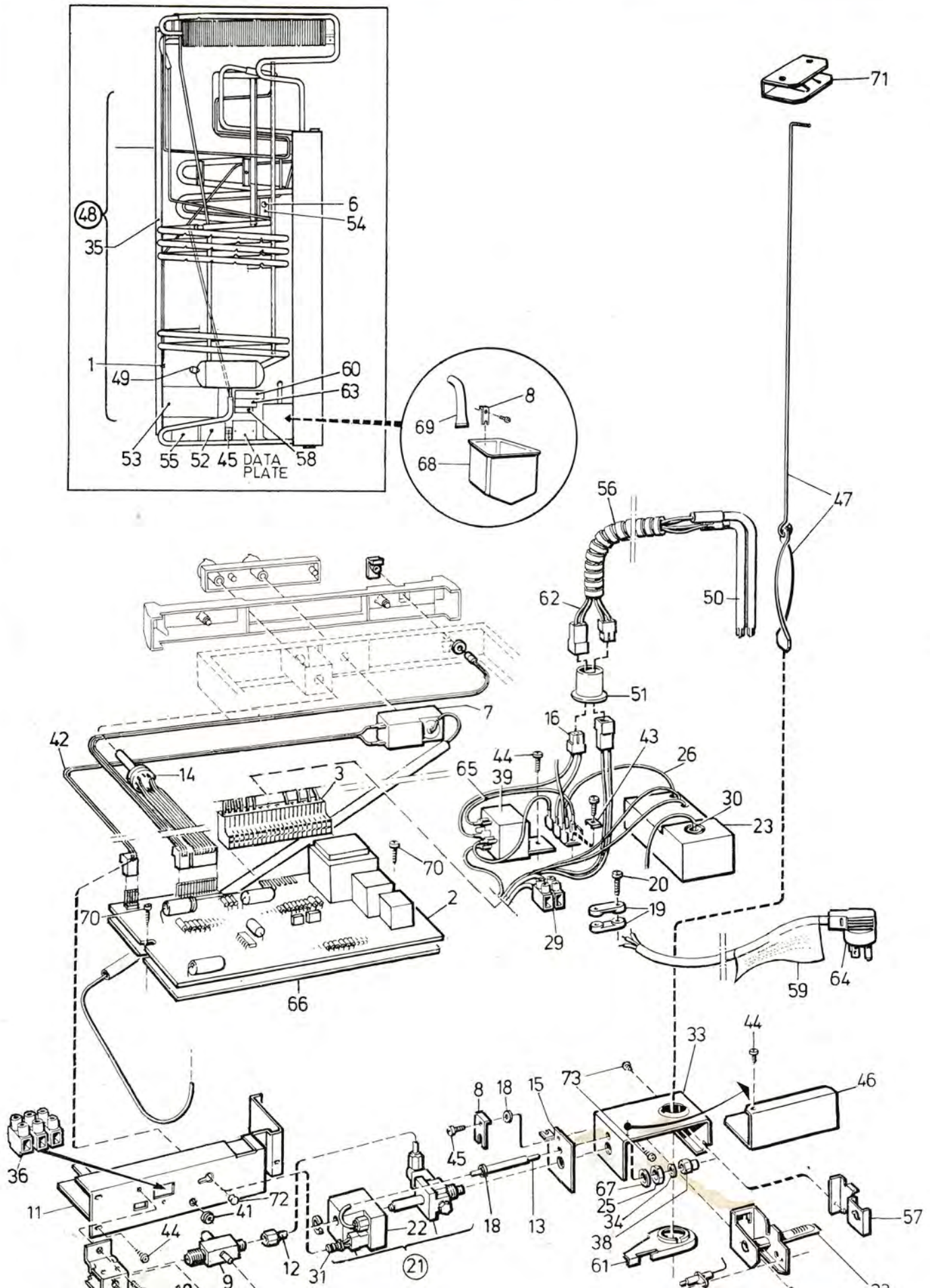


Item No.	Part No.	Description
1a	293 01 30-03/0	Door, upper, without basket and shelf
1b	293 01 29-04/0	Door, lower, without compartments
2	200 26 19-00/1	. Bushing
3	293 04 80-00/5	. Catch retainer
4	-	. Pop rivet $\varnothing 4 \times 6,8$ mm
5	200 64 60-07/1	. Plug, grey
6	729 62 25-01/9	Screw FXS B4x9,5 Z.PL
7	200 17 34-00/9	Bar
8	-	Screw RXS B4x6,5 Z.PL.
9	200 70 43-00/9	Shelf
10	200 26 75-12/8	Decoration
11a	293 01 37-01/9	Decoration strip
11b	293 01 37-22/5	Decoration strip
12	200 17 32-11/0	Door compartment
13	-	Warning label
14	200 50 07-11/3	Shutter
15	200 26 72-00/0	Name plate "Dometic"
16	200 61 36-06/9	Box
17	200 27 94-06/9	Bottle holder
18	200 70 40-00/5	Basket
19	293 02 83-00/3	Handle



Item No.	Part No.	Description
1	200 72 70-00/8	Hinge, upper
2	-	Screw M5x14, Z.PL.
3	-	Shelf
4	200 76 05-00/5	Cooling flange
5	293 01 33-01/8	Shelf, D Approx. 12"
6	725 23 30-13/4	Screw M6S 5x22 brass NI.PL.
7a	200 26 52-17/6	Shelf, compl., D approx 7"
7b	200 26 52-16/8	Shelf, D approx. 12"
8	-	Nut ML6M NI.PL.
9	-	Retaining plate
10	729 54 22-11/2	Screw RXS B10x38.NI.PL.
11	200 76 81-03/0	Latch, dark brown
12	200 73 30-00/0	Ice tray
13	200 73 93-01/6	Shelf lock, outer
14	200 73 92-01/8	Shelf lock, inner
15	293 03 40-01/9	Tube
16	-	Plug
17	200 76 80-03/2	Latch housing, dark brown
18	200 27 26-02/0	Crisper, brown
19	200 76 52-01/5	Front decoration, upper, dark brown
20	-	Fixing plate
21	200 72 71-00/6	Hinge pin, upper
22	-	Screw RXS B6x13 Z.PL.
23	200 72 72-04/6	Hinge
24	200 27 27-01/0	Cover, brown
25	200 73 13-01/4	Hinge pin
26	200 76 10-00/5	Drip shute
27	200 72 82-00/3	Cabinet lamp fitting, compl.
28	200 25 78-02/5	. Fuse
29	200 72 90-00/6	. Lamp 12V, 10W
30	293 03 14-01/4	Cabinet base
31	293 03 02-00/1	Panel decoration
32	-	Mounting plate
33	200 74 80-13/6	Knob, thermostat
34	200 74 80-14/4	Knob, switch
35	200 76 45-01/9	Spirit level
36a	293 02 32-00/0	Hinge, RH
36b	293 02 33-00/8	Hinge, LH
37	200 23 26-00/3	Hinge pin
38	-	Screw RXS B6x19 Z.PL.
39	200 74 63-04/1	Panel, beige
40	200 74 61-14/4	Base front, dark brown
41	293 01 36-00/3	Drawer
42	200 74 64-01/5	Shutter
43	200 73 36-00/7	Retainer
44	200 73 37-03/9	Bar, L approx. 15"
	200 73 37-04/7	Bar, L approx. 16"
	200 73 37-07/0	Bar, L approx. 9"
45	200 75 37-00/0	Bar
46	-	Cable clamp
47	-	Bracket
48	293 01 32-02/8	Masking plug, brown
49	293 04 31-00/8	Label
50	293 03 05-00/4	Adapter, thermostat
51	-	Lead
52	-	Adapter, switch
53	-	Screw RXS B6x6,5 Z.PL.
54	293 03 11-00/2	Lamp
55	293 03 09-00/6	Lamp socket
56	293 00 74-00/6	Sealing plate
57	14 95 85-01/0	Grommet
58a	200 51 11-11/3	Decoration strip
58b	200 51 11-12/1	Decoration strip
59	200 26 04-02/9	Hose

Parts without number are stated for identification purposes only.  
Such parts are not delivered as spare parts.



Item. No.	Part No.	Description
1	-	Clamp
2	200 77 16-00/0	Circuit board
3	293 04 65-00/6	Cable compl.
4	200 40 67-21/7	Knob gas valve
5	-	Retainer, gas valve
6	-	Plug
7	200 77 12-00/9	Thermostat
8	200 77 01-00/2	Retainer
9	200 77 09-00/5	Gas valve
10	-	Screw M5x10 Z.PL.
11	-	Mounting plate
12	200 77 10-00/3	Gas tube compl.
13	293 03 26-00/0	Thermo couple element
14	293 03 06-00/2	Switch
15	-	End piece
16	-	Lead
17	-	Screw M4x8 Z.PL.
18	734 49 15-10/8	Washer
19	56 10 14-01/0	Anti-strain clip
20	-	Screw RXS B6x19 Z.PL.
21	200 77 19-00/4	Thermo-electric solenoid valve cpl.
22	200 77 15-00/2	. Soleonid valve
23	767 91 00-00/3	Igniter
25	14 02 07-03/6	Nut
26	-	Lead
27	293 03 79-00/9	Electrod
28	-	Screw RXS B4x6,5 Z.PL.
29	-	Terminal block
30	-	Lead
31	-	Lead
32	200 75 03-03/6	Burner
33	-	Burner housing
34	200 74 57-00/1	Washer
35	-	Screw M5x14 Z.PL.
36	-	Terminal block
37	-	Plate "12 Volts"
38	200 74 19-21/7	Burner jet No. 58 for propane
	200 74 19-19/1	Burner jet No. 53 for butane
39	293 03 85-00/6	Relay
40	-	Screw RXK B6x6,5 Z.PL.
41	-	Grommet
42	-	Lead
43	-	Nut clamp
44	-	Screw RXS B6x9,5 Z.PL.
45	-	Screw M4X10 Z.PL.
46	-	Cover
47	200 75 90-03/3	Flue baffle cpl.
48	928 61 69-01/7	Cooling unit 616A
49	17 32 28-00/8	. Filling cap
50	17 37 42-05/7	Heater, 120V,325W
	17 37 43-02/2	Heater, 12V, 275W
51	293 01 03-00/3	Bushing
52	-	Label
53	-	Wiring diagram
54	200 76 53-00/5	Retaining plate
55	-	Label for 12/120V
56	-	Protection hose
57	200 76 51-00/9	Burner guide
58	-	Plate "Install only with kit No. 4A"
59	-	Electrical grounding instructions
60	-	Warning label
61	200 74 58-01/7	Clamping plate
62	-	Lead
63	-	Plate "Installation clearances"
64	-	Flexible cord
65	-	Lead. earthing
66	293 03 39-00/3	Insulation plate
67	734 58 42-01/2	Washer
68	200 76 18-00/8	Evaporation tray
69	200 26 03-00/5	Waterseal
70	-	Screw Rxs B4x9,5 Z.PL.
71	-	Flue Cap
72	293 04 66-00/4	Plug