



Dometic-Aire[®]

Parts List

This supplementary parts list and wiring diagram is applicable to the following R.V. unit models:

SL110R
SL135R

These sheets will identify the parts that are in the above models and must be used when replacement parts are required or ordered.

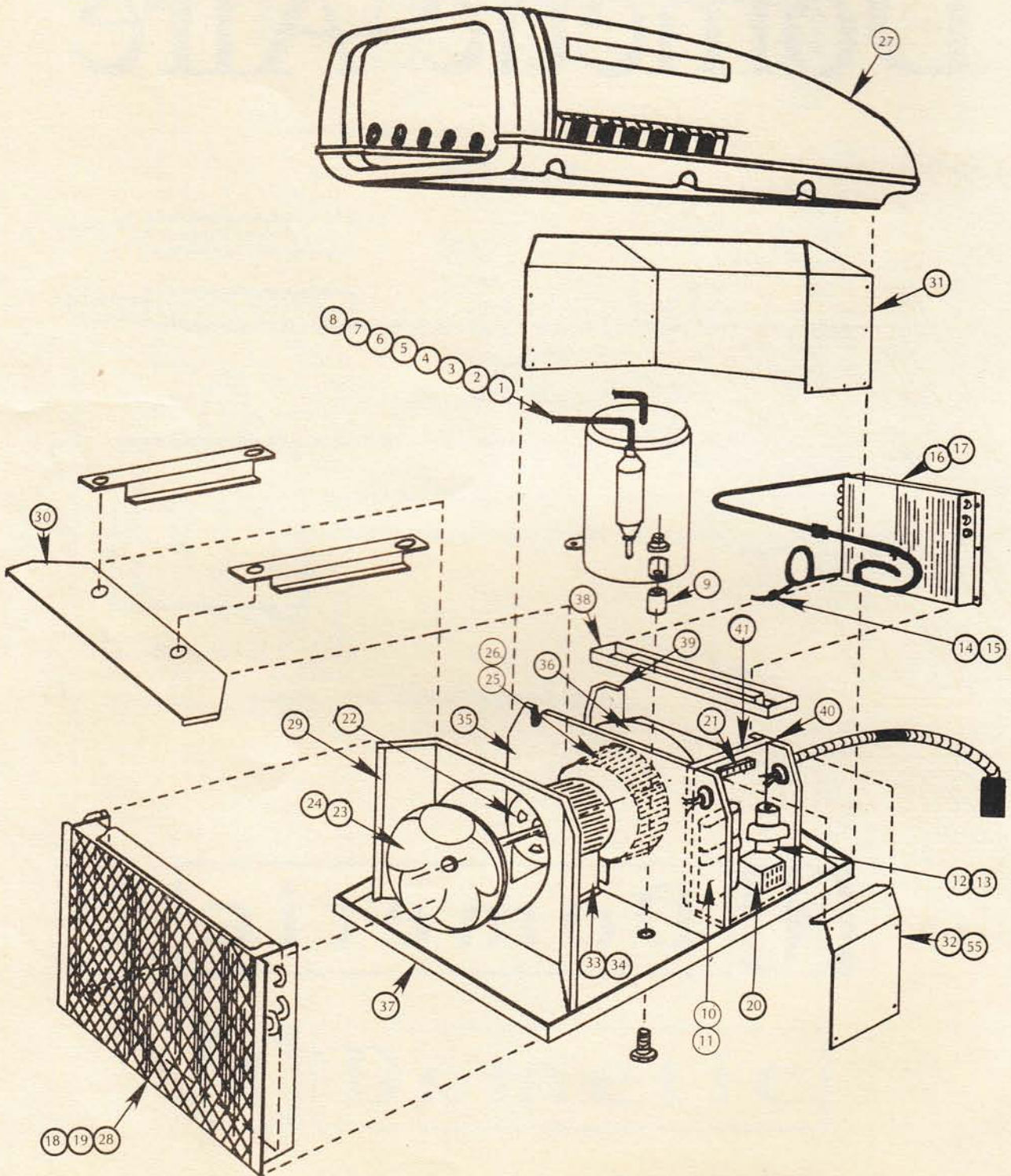
For installation and operating instructions, please use the enclosed Dometic booklet.

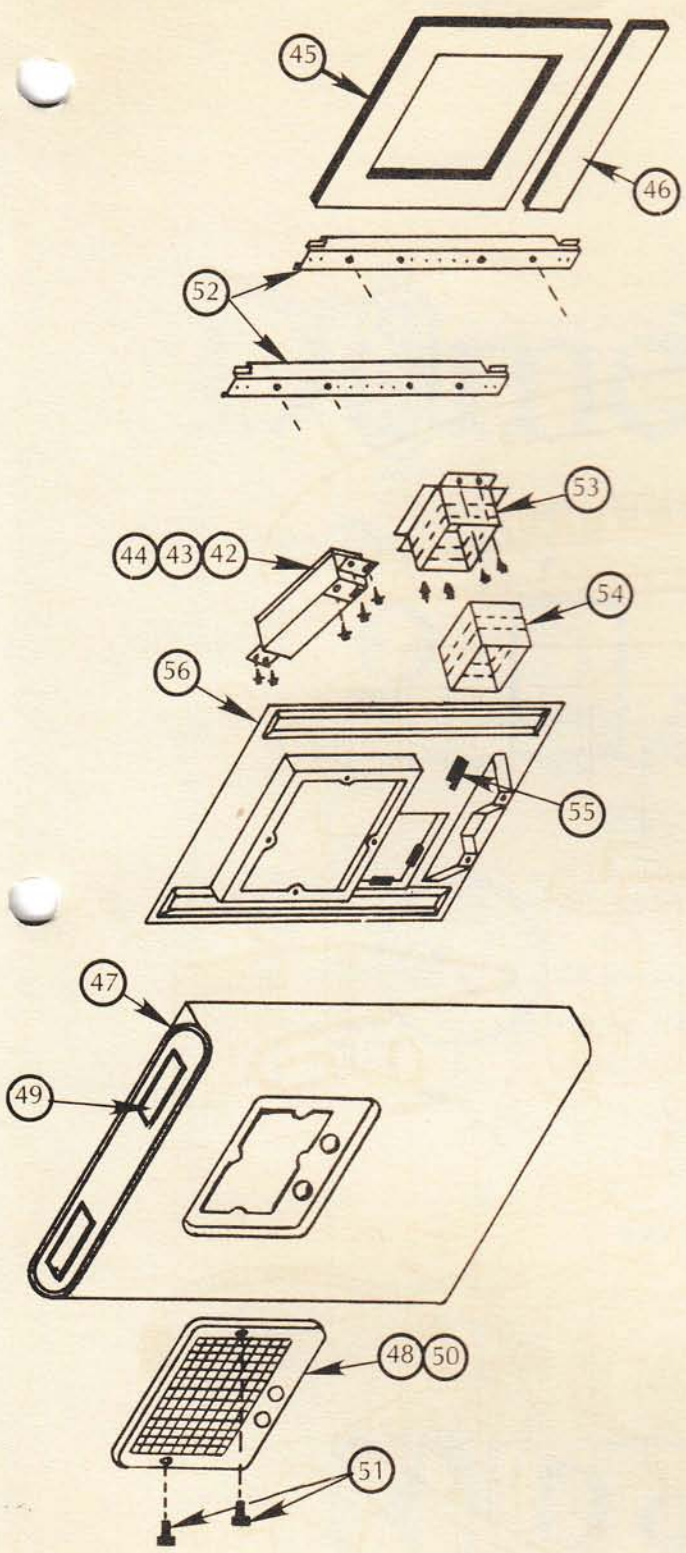
Optional Electric Heat Kit (Model No. A70011) is available for field installation.



D o m e t i c

PARTS LIST INDEX





ITEM NO.	PART NO.	DESCRIPTION
1	P11160	Compressor w/oil (SL110R)
2	P11158	Compressor w/oil (SL135R)
3	E12103	Overload (SL110R)
4	E12112	Overload (SL135R)
5	Y39691	Overload Spring
6	J24211	Terminal Gasket
7	J24151	Terminal Cover
8	Y27271	Bale Strap
9	R10771	Grommet
10	E47035	Run Capacitor (SL110R)
11	E47025	Run Capacitor (SL135R)
12	E45205	Start Capacitor (SL110R)
13	E45203	Start Capacitor (SL135R)
14	T10633	Capillary (SL110R)
15	T10629	Capillary (SL135R)
16	T60091	Evaporator Coil (SL110R)
17	T60093	Evaporator Coil (SL135R)
18	T51181	Condenser Coil (SL110R)
19	T51182	Condenser Coil (SL135R)
20	E11271	Relay
21	E16391	Terminal Block
22	M15050	Motor
23	F12021	Condenser Fan
24	Y20871	Fan Clamp
25	F11601	Blower Wheel
26	Y21271	Blower Wheel Clamp
27	A60123	Shroud Rooftop Assembly
28	S42551	Rear Grille
29	J22741	Condenser Fan Housing
30	S38742	Condenser Cover
31	A20831	Evaporator Cover Assembly
32	S40431	"J" Box Cover
33	S40441	Motor Mounting Bracket
34	S35361	Motor Cradle Bracket
35	S41781	Partition
36	S40451	Blower Housing Assembly
37	S40461	Base Pan
38	J22301	Drain Pan
39	S40571	Partition Right Side
40	S41851	Partition Left Side
41	S41821	"J" Box Back
42	E30621	Selector Switch
43	E40301	Thermostat
44	J24862	Control Knob
45	R14541	Mounting Gasket
46	L16491	Support Gasket
47	A60093	Air Box Assembly
48	A60072	Control Panel Assembly
49	A60052	Louver Assembly
50	L10521	Filter
51	Y15082	Thumb Screw
52	S40311	Chassis Support
53	S41691	Air Duct Collar
54	S41701	Air Duct
55	N22531	Wiring Diagram
56	A60081	Ceiling Assembly

WIRING DIAGRAM

