



Dometic-Aire[®]

Roof-Top Air Conditioner

**HEATER KIT
NO. A70011**

INSTALLATION INSTRUCTIONS
INSTALL BEFORE STARTING FIG 7 IN YOUR AIR CONDITIONER INSTALLATION MANUAL

Use with Dometic-Aire Roof Top Air Conditioner
Model Nos: **SL110, SL135**
SL110R, SL135R

**THIS HEATER KIT IS AVAILABLE AS AN OPTION
FROM YOUR DOMETIC DEALER.**



Dometic

INSTALLATION - INSTRUCTION

DOMETIC HEATER KIT - A70011

Remove control panel from air distribution box. Disassemble air box housing by removing six #8 X 1/2" Lg. screws. Slide thermobulb out from holder and remove six #8 X 1/2" Lg. screws holding ceiling retainer plate in place. Disassemble control box from channel supports by removing four #8 X 1/2" Lg. blunt point screws (See Fig. 1). Let control box hang down inside coach.

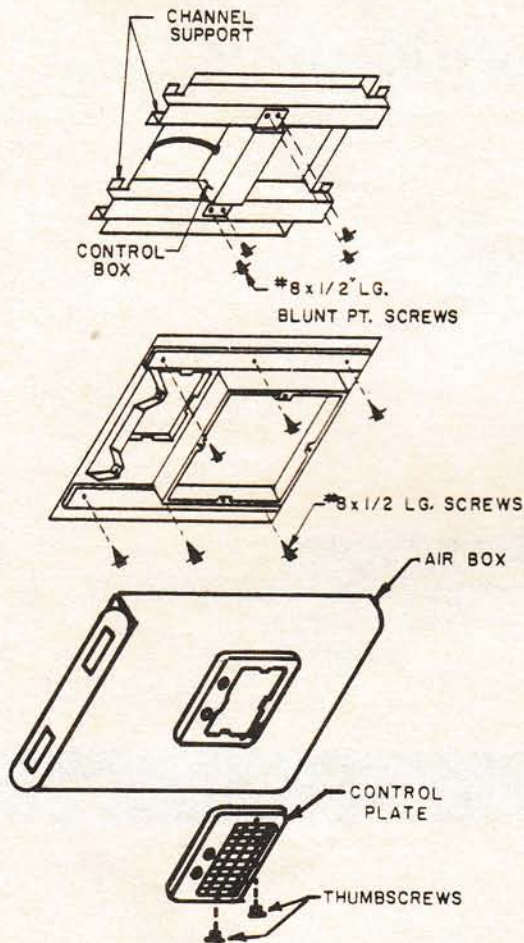


Figure 1

Tilting heater upward (See Fig. 2) slide through channel supports and base pan. Position heater onto weld studs provided on partition (See Fig. 4). While holding heater in place with one hand, attach hex nuts to weld studs. Tighten down nut with ratchet. Using right hand, grasp heater plug and insert into connector located on partition. Note: If plug does not insert, rotate 180° (See Fig. 3).

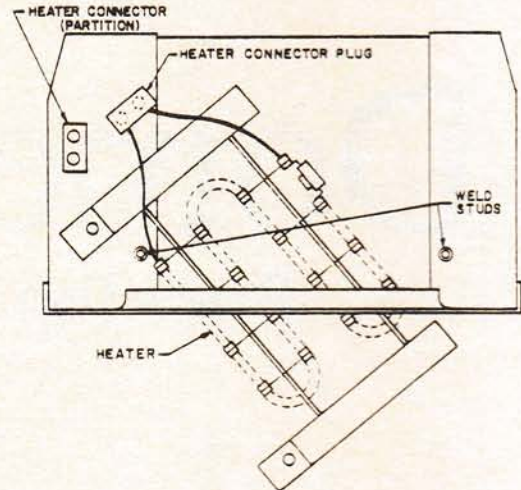


Figure 2

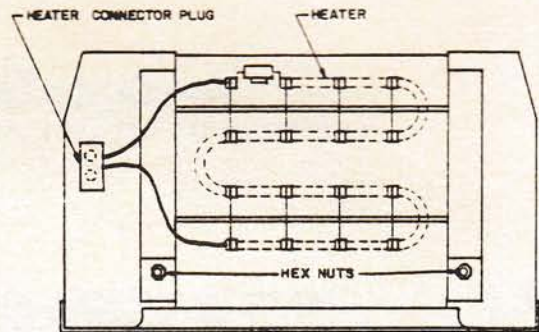
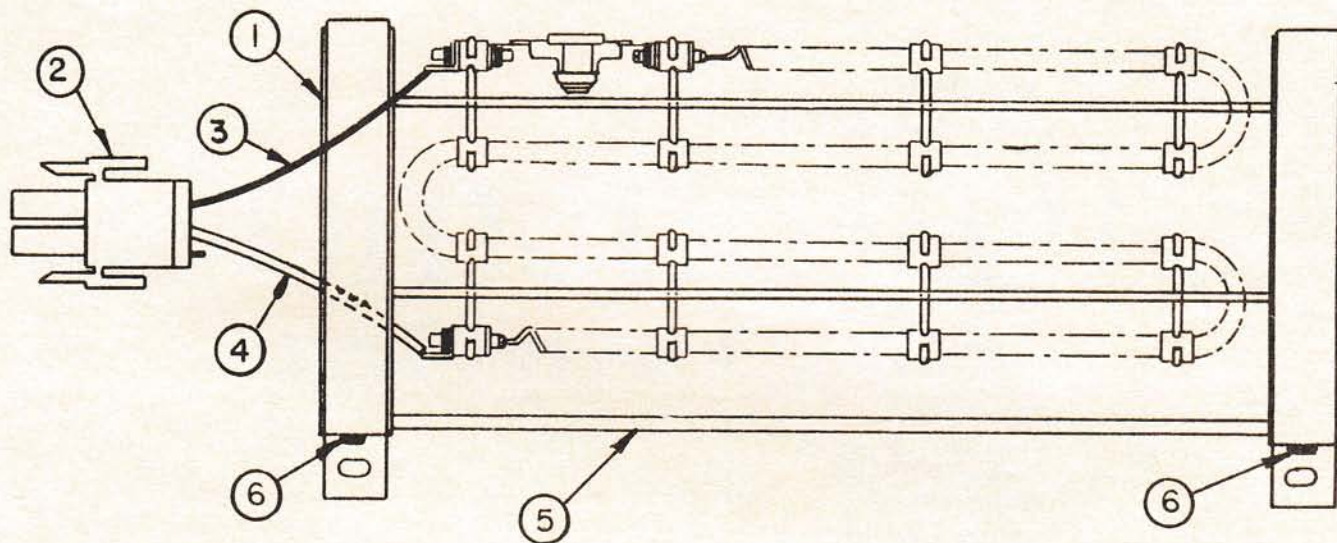


Figure 3

After heater is installed, reattach control box to channels being sure to use four #8 X 1/2" Lg. blunt point screws. Reassemble ceiling plate, air box housing and control panel respectively. Make sure to place thermobulb back into holder.



6	Y05154	SCREW	2
5	S40611	HEATER SHIELD	1
4	E18491	JUMPER WIRE (WHITE)	1
3	E18492	JUMPER WIRE (BROWN)	1
2	E16461	CONNECTOR HOUSING	1
1	E50191	HEATER	1
ITEM	PART NO.	NAME - OF - PART	QUANTITY

**DOMETIC
SALES CORPORATION**

2320 Industrial Parkway
P.O. Box 490
Elkhart, IN 46515
(219) 295-5228

8155 Bryan Dairy Rd.
Largo, Fla. 33543
(813) 397-1465

14441 Bonelli St.
City of Industry, CA 91746
(213) 968-9431

7895 S.W. Hunziker Rd.
Portland, OR 97223
(503) 620-9510

2920 Avenue "E" East
Arlington, TX 76011
(817) 277-7211

East Oak Ridge
Route 9, Box 17A
Hagerstown, MD 21740
(301) 797-0826



Dometic

Heating Capacity (BTU/HR)	5,100
Full Load Amps	15.5
Volts - AC	115
Min. Circuit Ampacity (with heater)	18.7