

# Installation Instructions

## FOR R.V. RANGES BT22L SERIES

**IMPORTANT - DO NOT DESTROY. PLEASE SAVE FOR CONSUMER'S AND LOCAL INSPECTORS USE.**  
**"THIS PRODUCT NOT APPROVED FOR MARINE USE.**

### NOTE TO INSTALLER

Always check with local and state codes before installation. Requirements beyond those as shown may affect these instructions, for which the manufacturer is not responsible.

The installation of appliances designed for recreational vehicles must conform with state or provincial codes, or in the absence of such codes, with the Standard for Recreational Vehicles ANSI/NFPA No. 501C-1982.

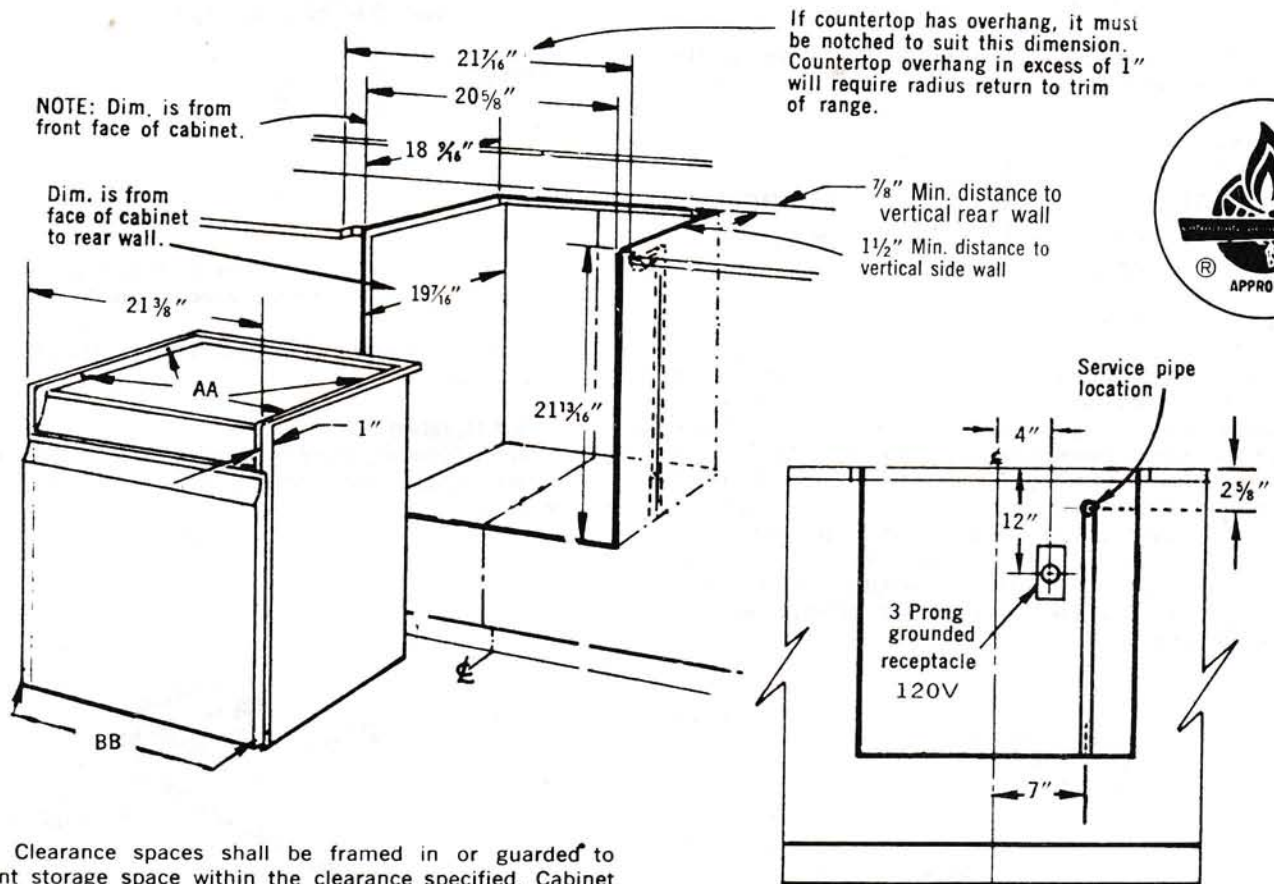
C.G.A. range must be installed in accordance with C.S.A. Z240.4 Series Standards, "Gas equipped recreational vehicles and mobile homes" and/or local codes having jurisdiction. Minimum clearance from countertop to combustible ceiling as approved by U.L. is 24" C.G.A. is 19".

### INSTALLATION

1. Cut opening as shown below (Range can be suspended from top flange; no other support is necessary).

2. Range equipped with a 120 volt light in the oven will require the installation of a 120 V. three prong grounded receptacle directly behind the range (for correct location see sketch below). On Range with suffix letter "V" in model number connect 12 volt DC power to the tagged wires.
3. Place range in opening and fasten in place. Six screw holes that are provided are located at points AA and BB. A minimum of four screws must be used to fasten range. Recreational vehicle manufacturers may use appropriate holes as found necessary to suit the application. Use No. 8 flat head chrome wood screws.
4. Make gas connections and check for leaks with soapy water. **Do not check for leaks with open flame.**

**WARNING:** Porcelain Enamel is glass which has been fused to metal. It is thoroughly inspected and will give good service if carefully handled, but it is breakable and cannot be guaranteed. Like all glass or porcelain articles, we cannot replace enamel parts that are damaged after delivery to carriers except at customer's expense.



Note: Clearance spaces shall be framed in or guarded to prevent storage space within the clearance specified. Cabinet must provide complete enclosure for range when cabinet has outside openings which could cause drafts.

### FRONT VIEW

Location of receptacle on ranges with oven light.

## INSTRUCTIONS FOR PROPER ADJUSTMENT

### THERMOSTAT

The oven thermostat in this range will enable you to turn off the Oven Constant Pilot by simply turning the thermostat dial to the "OFF" position. To light oven pilot, push the Control Knob & rotate counter clockwise to the "OVEN PILOT ON" position and then light the oven standing pilot.

### TOP SECTION

1. Ranges shipped from the factory for use on L.P. gas only, have fixed orifices. No adjustment necessary.

2. TOP BURNER PILOT (when provided) Adjust top pilot so that the tip of the flame is just over the edge of the inner cone and the lighting of top burner is within 4 seconds. Lift top to reach the top pilot adjustment screw which is located on the pilot filter. A pilot shut off valve is located ahead of the pilot filter to shut off top pilot gas.

### OVEN SECTION

1. TO ADJUST MAIN OVEN BURNER AIR SHUTTERS:

The air shutter has been adjusted at the factory, however, it may require some additional adjustment when used at high altitudes

To adjust, open the air shutter to the full open position where you will have a blowing condition. Begin closing the shutter slowly, when you reach the correct adjustment the blowing will stop and the burner should have a sharp blue flame approximately 3 inches long.

2. There is no oven pilot adjustment on the thermostat, the control has been factory preset for use on L.P. gas, no field adjustment necessary.

#### CAUTION:

INLET PRESSURE MUST NOT EXCEED 11" WATER COLUMN

## ELECTRICAL REQUIREMENTS AND GROUNDING INSTRUCTIONS FOR 120V. 60HZ AC

### RECOMMENDED GROUNDING METHOD

Observe all governing codes and ordinances.

This appliance is factory equipped with a power supply cord with a three-pronged grounding plug. It must be plugged into a mating grounding type receptacle in accordance with National Electrical Code and applicable local codes and ordinances. If the circuit does not have a grounding type receptacle it is the responsibility and obligation of the customer to change the existing receptacle to a proper grounded receptacle in accordance with the National Electrical Code and applicable local codes and ordinances. **THE THIRD GROUNDING PRONG SHOULD NOT, UNDER ANY CIRCUMSTANCES, BE CUT OR REMOVED.**

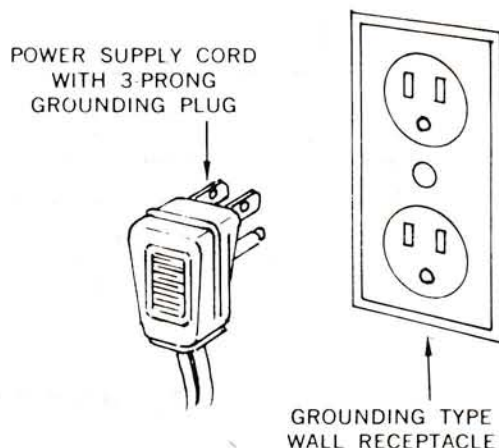


Figure 1

### ALTERNATE GROUNDING METHOD

If installing a properly grounded wall receptacle is impossible at the time of installation, consult your local electrical inspector for permission to connect to a temporary adapter (with polarized blades) which could be plugged into your present 2-wire receptacle. **This however, is not recommended.**

If this is done, you must attach the lug and / or the green adapter wire to the receptacle cover plate screw by connecting a separate ground wire to an approved grounding means. (See figure 2) Do not ground to a gas supply pipe. **You must permanently ground the adapter before connecting the appliance to the power supply.**

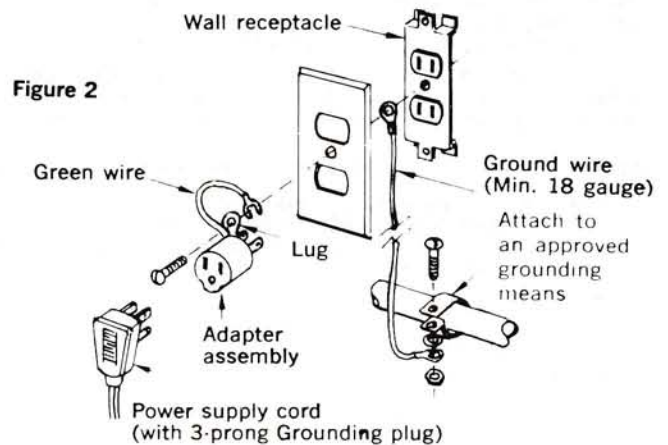


Figure 2

NOTE: A unit having an external electrical supply must be electrically grounded in accordance with National Electric Code, ANSI/NFPA No. 70-1981.

### RATING PLATE LOCATION

The rating plate is located under the cook top. ( See illustration ). This plate lists the following information:

1. Model number, serial number and spec. code number of your range.

2. B.T.U. rating.

When inquiring about your range, be sure to include the model number, serial number and spec. code along with your inquiry.

