



## MAINTENANCE INSTRUCTIONS

This faucet has been pre-tested at the factory, however it is recommended that the owner retain this service sheet for future reference.

### INSTRUCTIONS FOR FAUCET DISASSEMBLY

*NOTE: Procedure is the same for acrylic handle and lever models except as noted in instructions.*

Faucet disassembly can be simplified by completing steps 1 & 2 before turning water supply off.

**STEP 1** — Loosen set screw at rear of handle and lift off handle. See Figure 1.

**STEP 2** — Loosen bonnet about one turn. (Water pressure will lift control assembly slightly. In case of a tight control assembly, turn water on to a trickle and place thumb over aerator. Pressure build up in the valve will give additional boost to push assembly loose.)

*CAUTION: When loosening the bonnet with water supply on, be careful not to unscrew too far. A good check is to observe the gap between the bonnet and the spout hub. This should be about the thickness of a coin. (eg. Nickel)*

**STEP 3** — TURN OFF MAIN WATER SUPPLY LINES BELOW SINK

**STEP 4** — Remove bonnet completely. See Figure 2.

**STEP 5** — Lift out control assembly. If necessary, use screwdriver under ears of retainer to ease control assembly from core. See Figure 3.

**STEP 6** — Remove seals and springs. See Figure 4.

**STEP 7** — To remove spout lift while turning. To remove O-rings, lift out of grooves and replace. Rings are lubricated for easy assembly, but care must be exercised so as not to cut O-rings. See Figure 5.

### RE-ASSEMBLY

**STEP 8** — Seals V7700 can be easily replaced by slipping the seal and then the spring/seat V6157 on the eraser end of an ordinary pencil, and then pushing seal into the core. Seals should sit upright in core and the face of the seal should be about 1/16 inch above the core and move freely. See Figure 7.

**STEP 9** — Flat on driver mates with flat in control plate. Figure 8 shows proper relationship of control plate relative to the front of, and the slot in the core. The "V" of the control assembly points to the front of the unit.

**STEP 10** — Place control assembly into core and push all the way down making sure that the ear of the control assembly is in the slot in the core.

**STEP 11** — Replace bonnet and tighten firmly by hand.

**STEP 12** — Turn adjusting ring down, using special wrench until snug and then back off approximately 1/2 turn.

**STEP 13** — Replace handle on stem making sure it is all the way down and that set screw is on the flat of the stem. Tighten set screw.

**STEP 14** — To remove diverter from spout, unscrew aerator, hold hand under spout, slowly turn water on. Water will dislodge diverter (Fig. 6).

### MAINTENANCE INSTRUCTIONS

#### 1. FAUCET DOES NOT SHUT OFF.

- Follow disassembly through step 5. Make sure seals move up and down freely and are in a vertical position. See Figure 7. Seal face should rise about 1/16 inch above core face.
- Replace seals if nicked or deformed.
- Replace control assembly if control plate is scored or nicked.
- Check engagement of control plate and driver as described in Step 9. Make sure handle set screw is to the rear and engages flat on stem.

#### 2. LEAKAGE FROM BENEATH HANDLE.

- Follow disassembly through Step 5. Replace control plate O-ring and retainer O-ring. If retainer is scored, replace control assembly.

#### 3. LEAKAGE FROM TOP/BOTTOM OF SPOUT HUB

- Follow disassembly steps 1, 3, 4 and 7. Replace O-rings on core. Do not remove lubricant from O-rings.

#### 4. DECREASE IN FLOW OF WATER WITH USAGE, OR IMPROPER FUNCTION OF SPRAY ON SOME MODELS.

- Unscrew aerator and (if spray model), remove diverter. See Step 14. Flush parts and reassemble.
- On spray models unscrew nozzle from spray head, flush and reassemble.

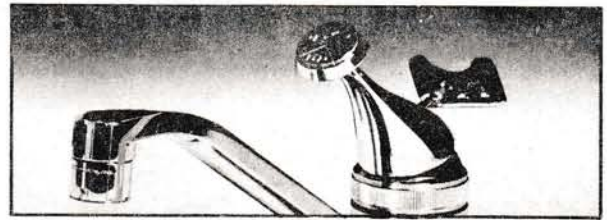


FIG. 2



FIG. 3

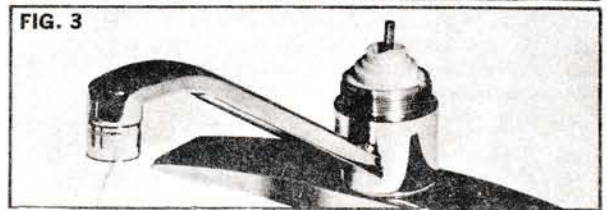


FIG. 4



FIG. 5



FIG. 7

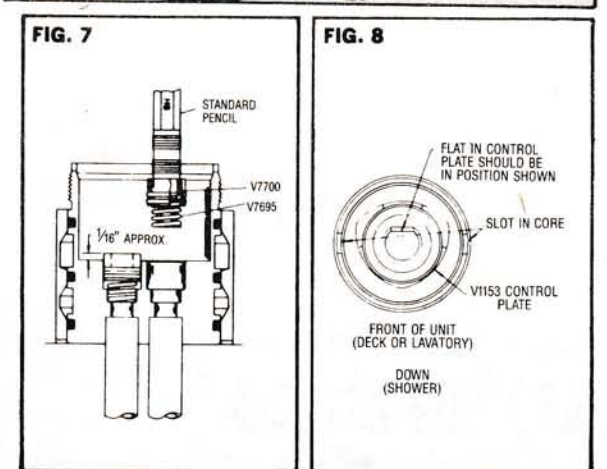
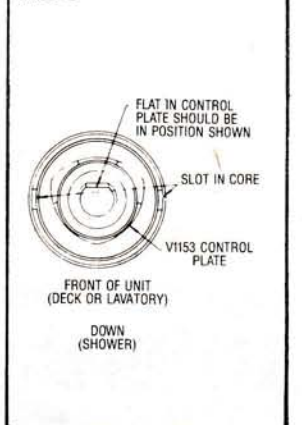


FIG. 8



# INSTALLATION INSTRUCTIONS

## DECK MODELS 100 AND 200 SERIES

For spray models with separate hose guide install this item first.

Carefully straighten copper supply tubes on faucet. We recommend that tubes be laid on flat surface and pressed straight.

Place rubber gasket over sink openings.

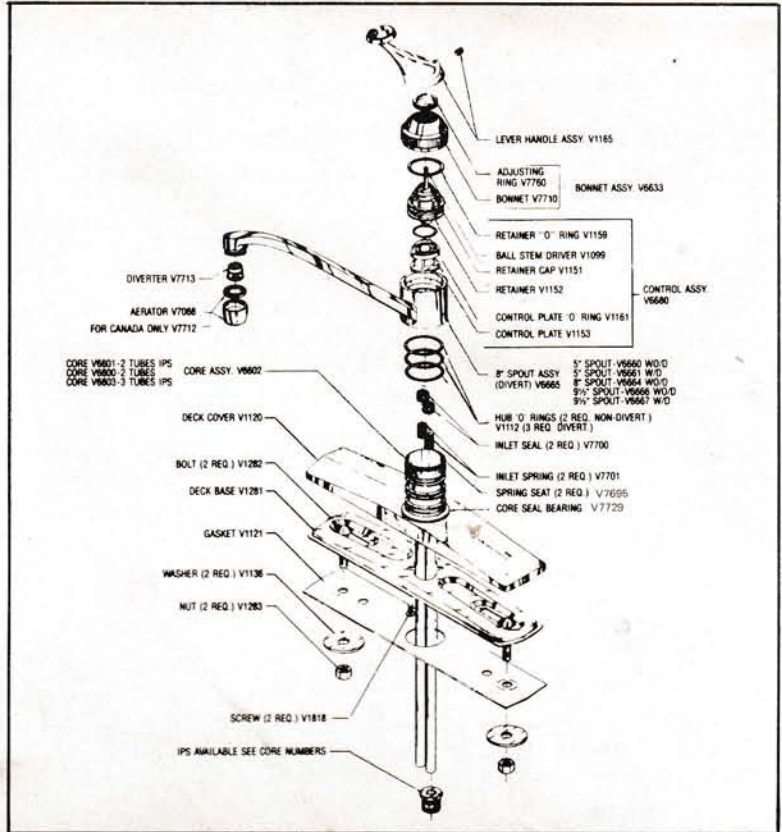
On spray models it is suggested that spray hose be attached to faucet before installing faucet in sink.

Set faucet in place on sink and place washers and nuts on mounting studs from underside of sink. Position faucet and tighten nuts.

Complete supply hook up.

After installation, remove aerator (and diverter, if spray model) and flush both hot and cold lines. It is not necessary to disassemble faucet. Replace aerator. On spray models, replace diverter and aerator and check spray operation.

For 500 Series single mount faucets mounting bolt faces front. Tighten double hex nuts against mounting washer.



## LAV MODELS 800 SERIES

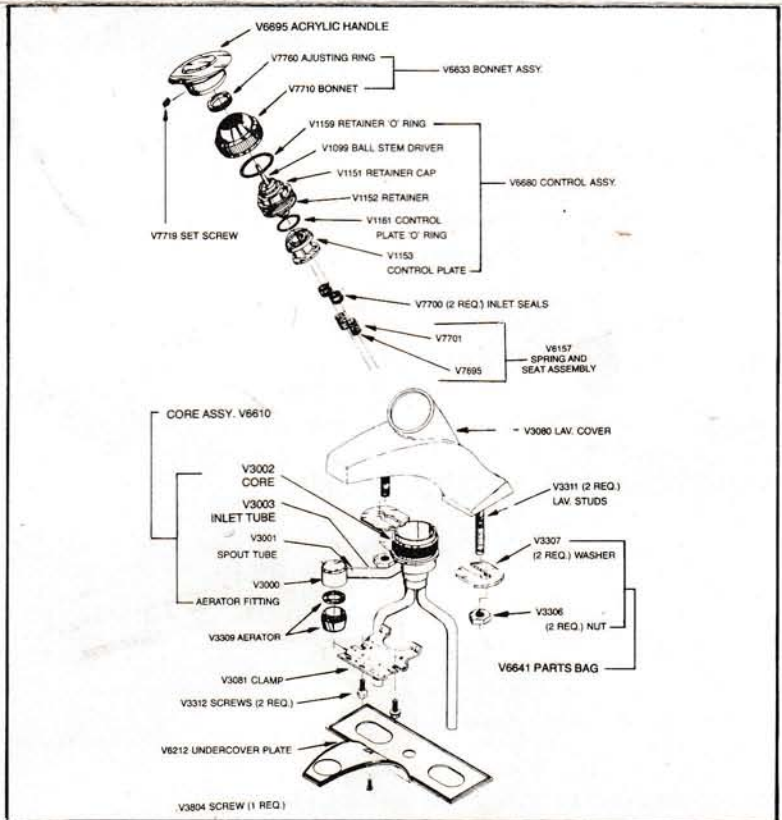
Place gasket on top of sink and set faucet in place.

Install pop-up lift rod through hole in rear of housing and through hole in sink.

Place mounting washers (2) V3307 over studs and tubes, then thread hex nuts on studs and after positioning faucet, tighten nuts with fingers.

Install pop-up assembly and complete hook up to lift rod. Adjust position of faucet for easy up and down movement of lift rod and then tighten mounting nuts firmly.

After installation, remove aerator and flush both hot and cold lines. It is not necessary to disassemble faucet.



U.S. BRASS, 901 10th St., Plano, Texas 75074

V7773 rev. 8/82

**USBRASS**

**WallaceMurray**